



Total hydraulic flow	20 gpm (23 gpm optional)	20 gpm (23 gpm optional)	20 gpm (23 gpm optional)	20 gpm (23 gpm optional)
Three point hitch	Category I - II	Category I - II	Category I - II	Category I - II
Function	position, draft, mixed	position, draft, mixed	position, draft, mixed	position, draft, mixed
Lifting force at the end of lower links	9300 lbs	9300 lbs	9300 lbs	9300 lbs
Remote outlets	3 sets standard, all with float; one set with detented spool with automatic pressure release; two ports with check valves for maximum tightness	3 sets standard, all with float; one set with detented spool with automatic pressure release; two ports with check valves for maximum tightness	3 sets standard, all with float; one set with detented spool with automatic pressure release; two ports with check valves for maximum tightness	3 sets standard, all with float; one set with detented spool with automatic pressure release; two ports with check valves for maximum tightness
<b>TIRES</b> <b>Front/ Rear</b>	13.6R-24/ 18.4R-34 Other tire sizes available.	13.6R-24/ 18.4R-34 Other tire sizes available.	13.6R-24/ 18.4R-34 Other tire sizes available.	13.6R-24/ 18.4R-34 Other tire sizes available.
<b>MAIN DIMENSIONS</b>				
Wheelbase	96 in	96 in	96 in	96 in
Length	157 in	157 in	157 in	157 in
Width (for rear wheel track 59 in)	78 in	78 in	78 in	78 in
Height	106 in	106 in	106 in	106 in
Ground clearance	18 in	18 in	18 in	18 in
Wheel track	59-77 in (front); 59-71 in (rear)	59-77 in (front); 59-71 in (rear)	59-77 in (front); 59-71 in (rear)	59-77 in (front); 59-71 in (rear)
Turning radius (w/o use of brakes)	12 ft	12 ft	12 ft	12 ft
Weight	8980 lbs	9000 lbs	9030 lbs	9045 lbs

**STANDARD EQUIPMENT:**

Air compressor and tire inflator; Electric rear differential lock and front wheel drive engagement; Limited slip front differential; Ground speed PTO; Telescopic sway bars; Telescopic or hook-style lower links; Three sets of remote hydraulic outlets; Deluxe seat with three-way adjustment; Tinted windows; Front and rear wipers; Windshield washer; Air conditioning; Eight front and three rear halogen lights; Heated mirrors and rear window; Tool box; Tilt/telescoping steering wheel; Digital display multi-function dashboard; CD radio with two speakers; Front fenders

**OPTIONS: \***

Front and rear weights; Block heater; Electronic three-point hitch controls; Front PTO and front 3point hitch; Air-ride seat; Instructional seat

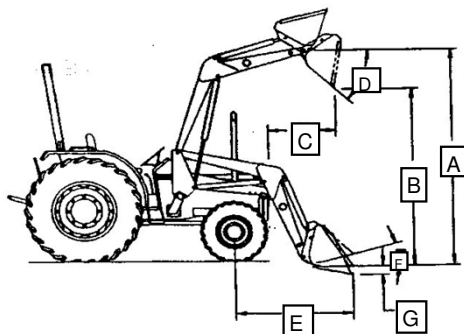
*\*Contact your Zetor dealer for the latest standard and optional equipment.*

## ZETOR System 120K/120SLi     *Front End Loaders*

Description and applicability:

Zetor system 120K: High capacity, heavy-duty, quick-attach low profile front loader. Recommended for all Proxima Power models.

Zetor system 120SLi: Advanced high capacity, heavy-duty, quick-attach low profile front loader with self-leveling. Recommended for all Proxima Power models.



LOADER MODEL:	120K	120SLi
Mechanical self-le s	NO	YES
A Maximum Lift Height (in)	130	139
B Clearance with Bucket Dumped (in)	121	100
C Reach at Maximum Height (in)	23	28
D Maximum Dump Angle (deg)	40	70
E Reach on Ground (in)	73	92
F Bucket Rollback Angle (deg)	15	45
G Digging Depth (in)	5	6

Specifications measured for tire size: Front: 13.6R-24  
Rear: 18.4R-34

*The loader hydraulic system is connected directly to tractor pump and does not use remote outlets.*

*Specifications subject to change without notice and without incurring obligation on behalf of Zetor.*

LOADER MODEL:	120K	120SLi
Lift Capacity to Full Height (lb)		
- at pivot points (loader w/o bucket)	4600	3600
- 31.5" ahead of pivot (with bucket attached)	2600	2400
Breakout Force (lb)		
- at pivot points (loader w/o bucket)	5800	5000
- 31.5" ahead of pivot (with bucket attached)	3600	3800
Raising Time w/14 gpm pump (sec)	4,5	5
Bucket dump time (sec)	4,5	3,5
Bucket rollback time (sec)	3	3,5
Weight with 73" bucket (lb)	2150	2750

Model 120SLi is also available with larger lift cylinders. This raises all lift capacities by 30%, but slows raising time to 6.5 sec.